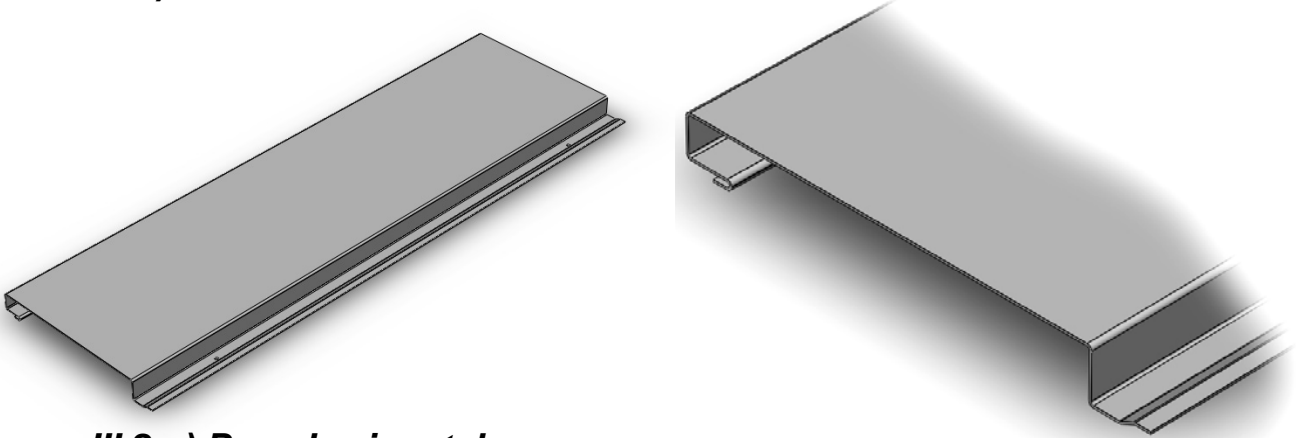
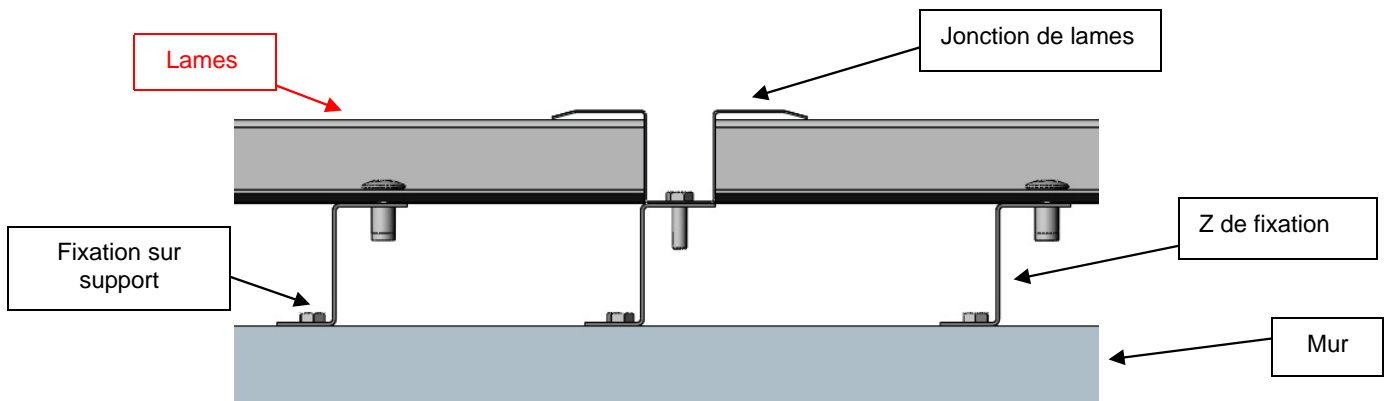


III.2) Lames MATHILDE

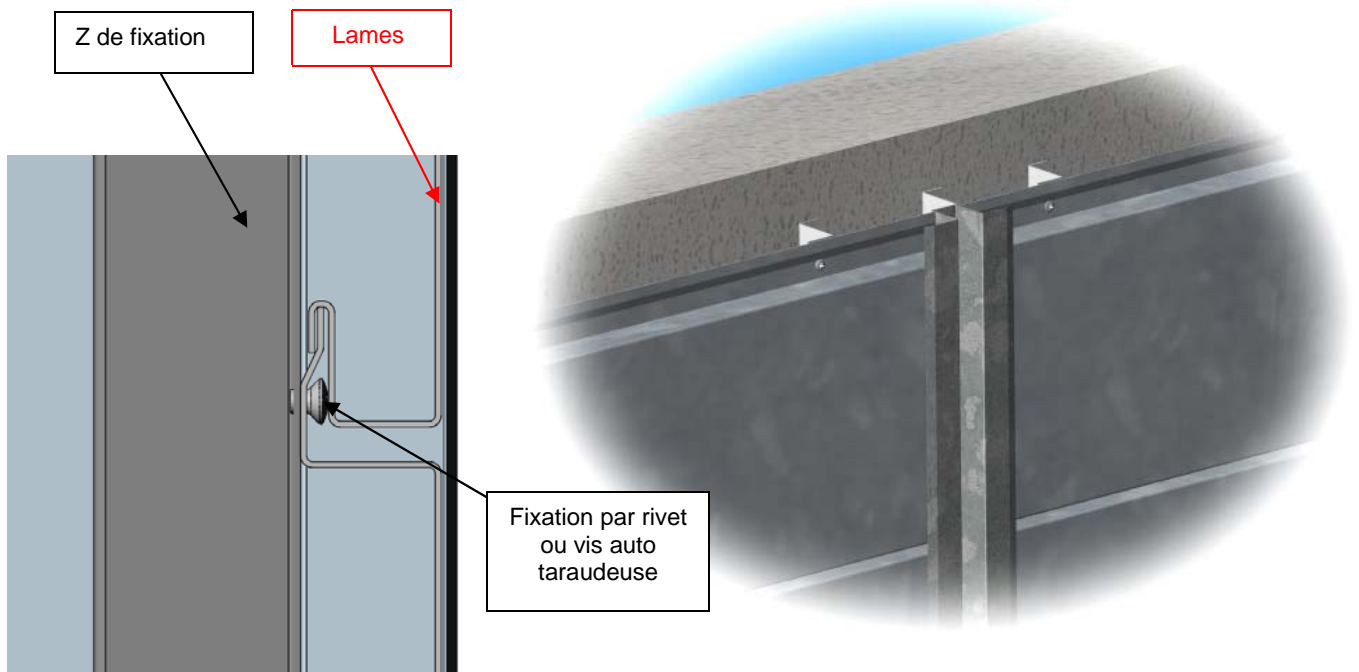


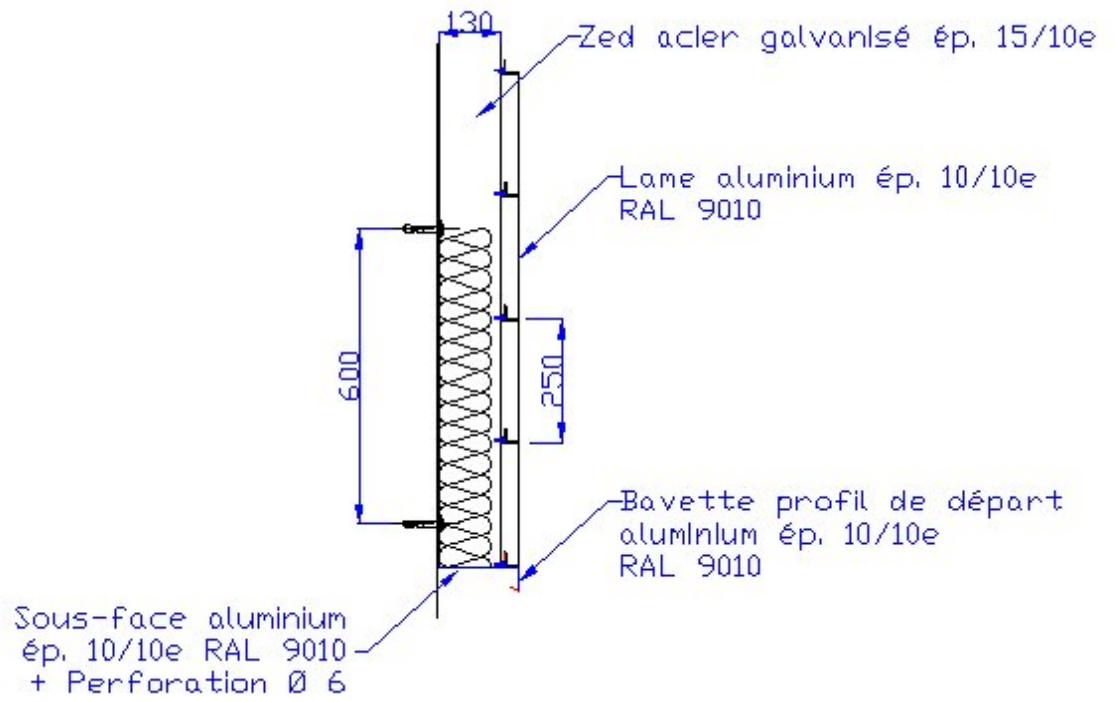
III.2.a) Pose horizontale

Montage lames pose horizontale



Fixation entre lames





III.2.b) Pose verticale

Montage lames pose verticale

